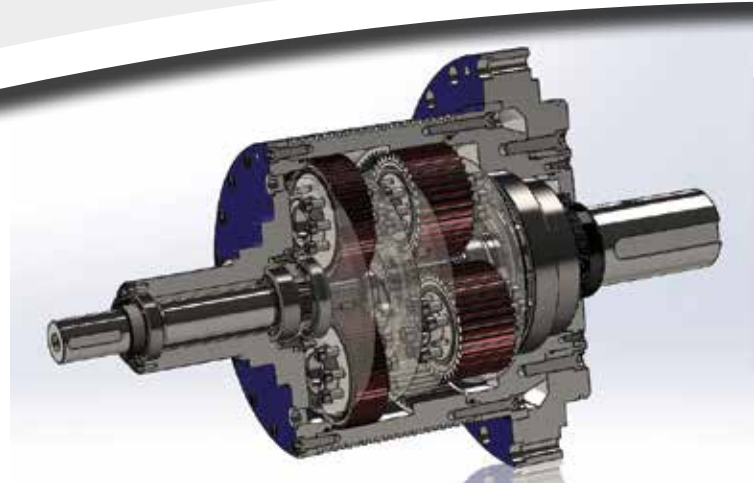
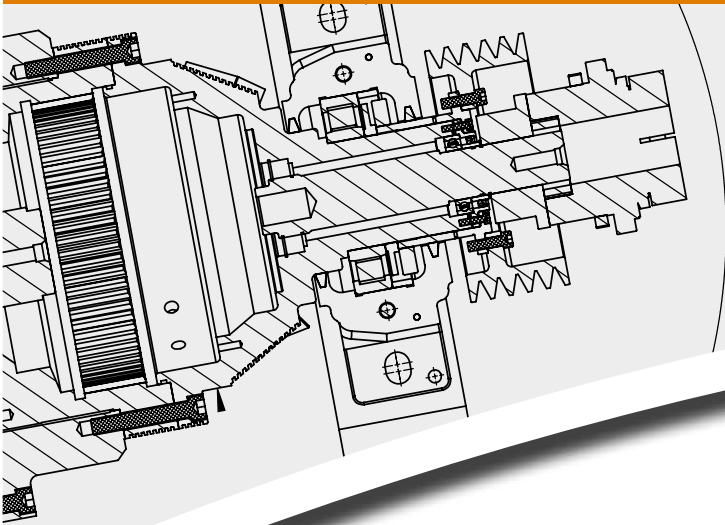


## Direct Replacement for 3-Stage Planetary Gearbox on the Derrick 7200 Centrifuge



### An Innovative Approach to Decanter Centrifuge Repair

#### Centrisys GB8051 ■ 2-Stage Planetary Gearbox

Our manufacturing know-how, and years of experience in centrifuge service and repair across most industries, has given Centrisys the upper hand for centrifuge parts optimization for all makes and models of decanter centrifuges.



As a simplified, one-to-one replacement for the Derrick 7200 3-stage planetary gearbox, the Centrisys GB8051 is a 2-stage planetary gearbox with:

- 8,000 Nm torque
- 51:1 ratio
- Simple "bolt-in" replacement design
- One day in-shop exchange
- Simplified 2-stage design - fewer moving parts means greater efficiency and less wear and friction
- Robust design based on years of inspection, disassembly, analysis and documentation of the 3-stage planetary gearbox during repair
- Improved internal mechanism system that addresses premature bearing failures
- GB8051 parts storage program for quick shipment and replacement\*

\*Requires Centrisys parts storage program contract

#### Where the Service Repair Process Starts

Centrisys continues to expand parts inventory, warehousing capabilities and engineering resources.

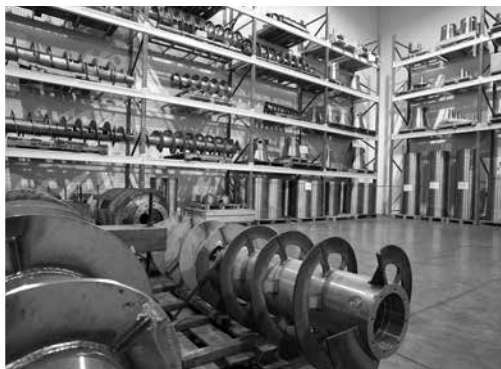
*"It is an understatement to say that keeping critical spare parts on hand is imperative. When you look at factors such as unpredictable demand, long lead times and downtime waiting for the part, stocking critical spare parts is a key business decision that saves our customers aggravation and money in the long run."*

*George Kueppers, Centrisys VP Service & Repair*

Over the years, Centrisys has re-engineered and optimized parts based on careful evaluation with every centrifuge repair that comes into one of our facilities. It is our goal to offer customers the best solution for their repair.

Preventative maintenance, critical wear and ancillary parts are stocked and readily available for prompt shipment from one of our facilities. Many parts can be shipped overnight for express delivery.





## Service that Never Stops

Nationwide and global on-site field-service capabilities, 24 hours a day, 7 days a week, including:



- Repair services - includes centrifuge rebuild
- Preventative maintenance
- Process evaluations/optimization
- Installation assistance
- Machine inspection
- Vibration analysis and other diagnostic services
- Operator and maintenance training
- Maintenance agreements
- Flight repair and replacement
- High speed dynamic balancing
- Control Panel Automation and upgrades
- ISO 9001:2015

## More Value



### Phone Consultations

With our years of experience, we can diagnose many problems over the phone for our customers, saving time and money



### Rentals

Handling seasonal processing requirements or for temporary maintenance requests, we offer short and long-term rental or leasing options



### Remote Monitoring

A proprietary remote solution integrated into the control panel, providing 24/7, real-time text and email alerts for equipment status changes

**Ready to save valuable time and aggravation with repairs done in days, not weeks? Contact Centrisys.**

### Service

[servicedept@centrisys.com](mailto:servicedept@centrisys.com)

### Questions

+1 (262) 654-6006

### Parts

[parts@centrisys.com](mailto:parts@centrisys.com)